

## Engineering Data

### EVEREADY NO. EN715

**Alkaline 1.5V  
INDUSTRIAL**

*No Added Mercury or Cadmium*

**NOT INTENDED FOR RETAIL TRADE**

**Chemical System:** Alkaline-Manganese Dioxide (Zn/MnO<sub>2</sub>)

**Designation:** ANSI / NEDA-903AC, IEC-5LR25-2

**Battery Voltage:** 7.5 Volts

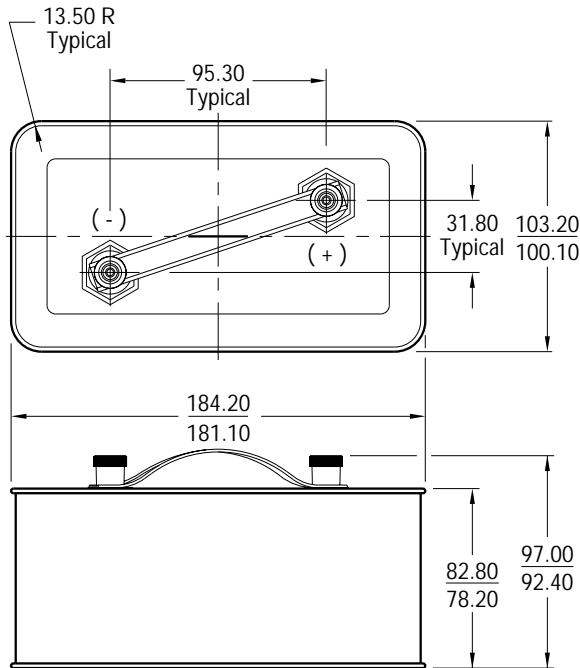
**Average Weight:** 2.3 Kilograms (81.4 oz.)

**Volume:** 1570 cubic centimeters (95.8 cubic inch)

**Average Service Capacity ( to 0.8 Volt / cell ):** 43 Ah  
 ( Rated capacity at 25 mA continuous drain )

**Cell:** Ten No. 3-361- Two parallel strings of five in series.

**Jacket:** Metal



**Dimensions (mm)**

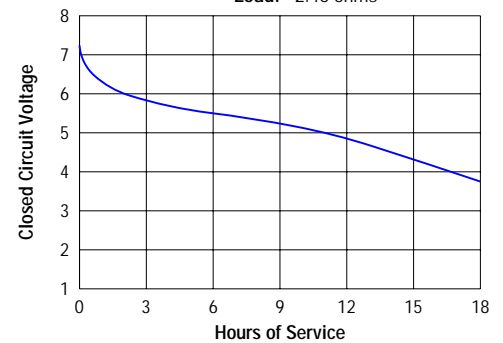
| Millimeters | Inches |
|-------------|--------|
| 13.50       | .531   |
| 31.80       | 1.252  |
| 78.20       | 3.079  |
| 82.80       | 3.260  |
| 92.40       | 3.638  |
| 95.30       | 3.752  |
| 97.00       | 3.819  |
| 100.10      | 3.941  |
| 103.20      | 4.063  |
| 181.10      | 7.130  |
| 184.20      | 7.252  |

**TYPICAL DISCHARGE CHARACTERISTICS**

Schedule: 24 hours / day

Typical Drain @ 6.0V: 2439 milliamperes

Load: 2.46 ohms



**SIMULATED APPLICATION TESTS**  
 Estimated Average Service at 21°C (70°F)

| Schedule   | Typical Drains<br>@ 6.0V<br>(milliamperes) | Load<br>(ohms) | CUTOFF VOLTAGE |       |      |      |      |      |
|--|--|----------------|----------------|-------|------|------|------|------|
|  |  |                | 3.25V          | 3.75V | 4.5V | 5.0V | 5.5V | 6.0V |
| 30 minutes ON<br>30 minutes OFF<br>8 hours / day | 750  | 8              | 68             | 62    | 52   | 46   | 37   | 19   |
| 24 hours / day                                   | 2439                                       | 2.46           | -              | 18    | 14   | 11   | 6    | 2    |

**IMPORTANT NOTICE**

This data sheet contains information specific to batteries manufactured at time of its publication. Please contact your Energizer representative for most current information. Contents herein do not constitute a warranty.