



Eveready Battery Company, Inc.
 Checkerboard Square
 St. Louis, MO 63164
 Telephone: 1-800-383-7323
 Internet: www.energizer.com

Engineering Data

EVEREADY NO. EN640A

Alkaline 1.5V

NOT INTENDED FOR RETAIL TRADE

Chemical System: Alkaline-Manganese Dioxide (Zn/MnO₂)

Designation: ANSI / NEDA-1126A, IEC-LR52

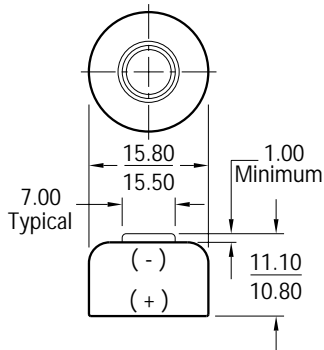
Battery Voltage: 1.5 Volts

Average Weight: 6 grams (0.2 oz.)

Volume: 2.2 cubic centimeters (0.1 cubic inch)

Average Service Capacity (to 0.9 Volt): 335 mAh
 (Rated capacity at 100 ohms continuous at 20°C)

Cell: 640A-P



Dimensions (mm)

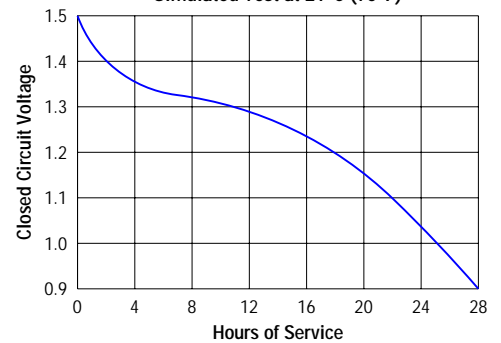
Millimeters	Inches
1.00	.039
7.00	.276
10.80	.425
11.10	.437
15.50	.610
15.80	.622

DESIGNED SPECIFICALLY FOR PHOTO USE

SIMULATED APPLICATION TESTS
 Estimated Average Service at 21°C (70°F)

Schedule	Typical Drains @ 1.25V (milliamperes)	Load (ohms)	CUTOFF VOLTAGE	
			0.9V hours	
24 hours / day	12.5	100	28	

TYPICAL DISCHARGE CHARACTERISTICS
 Simulated Test at 21°C (70°F)



IMPORTANT NOTICE

This data sheet contains information specific to batteries manufactured at time of its publication. Please contact your Energizer representative for most current information. Contents herein do not constitute a warranty.