



Eveready Battery Company, Inc.  
 Checkerboard Square  
 St. Louis, MO 63164  
 Telephone: 1-800-383-7323  
 Internet: www.energizer.com

## Engineering Data

**EVEREADY NO. EN539**

**J**  
**Alkaline 6V**

*No Added Mercury or Cadmium*

**NOT INTENDED FOR RETAIL TRADE**

**Chemical System:** Alkaline-Manganese Dioxide (Zn/MnO<sub>2</sub>)

**Designation:** ANSI / NEDA-1412AP

**Battery Voltage:** 6 Volts

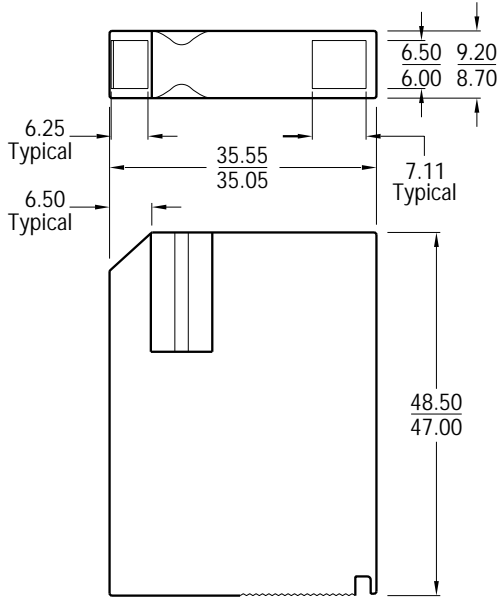
**Average Weight:** 30 grams (1.1 oz.)

**Volume:** 15.4 cubic centimeters (0.9 cubic inch)

**Average Service Capacity ( to 0.8 Volt / cell ):** 595 mAh  
 ( Rated capacity at 25 mA continuous drain )

**Cells:** Four No. 3-0316 in series.

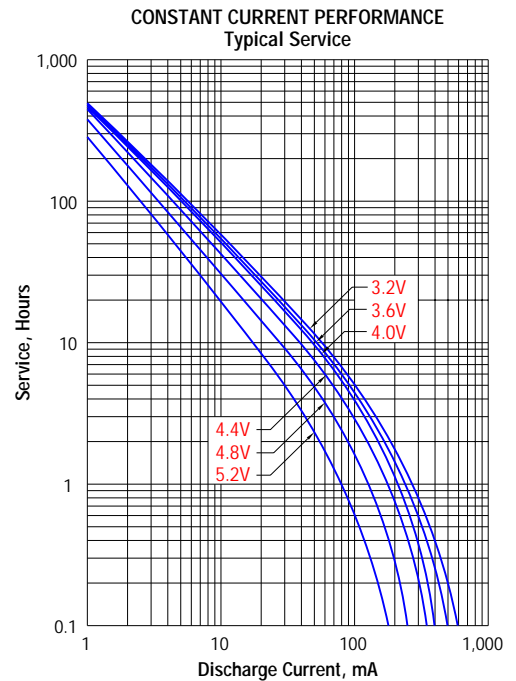
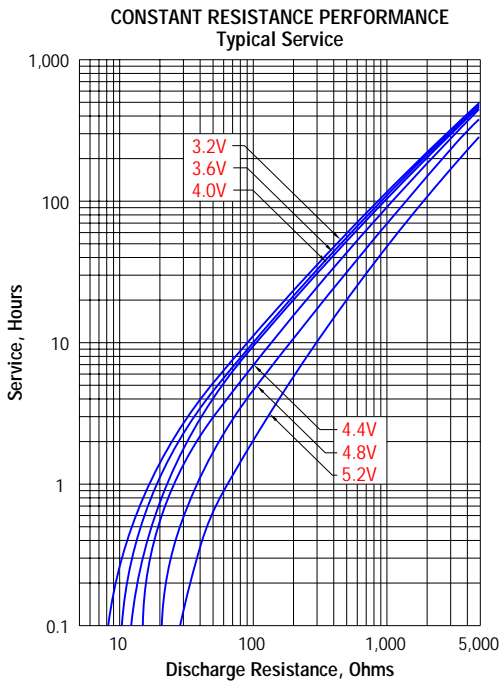
**Jacket:** Plastic



Dimensions (mm)

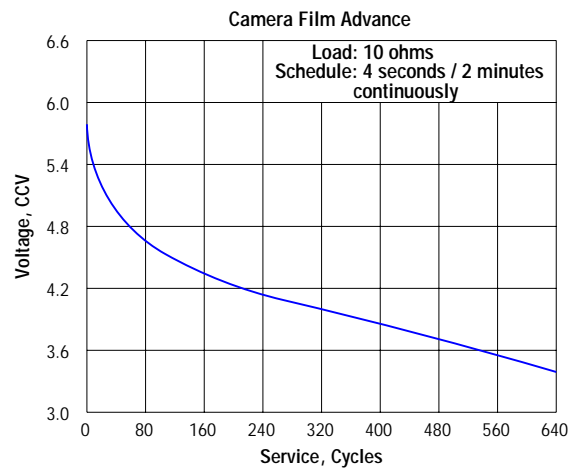
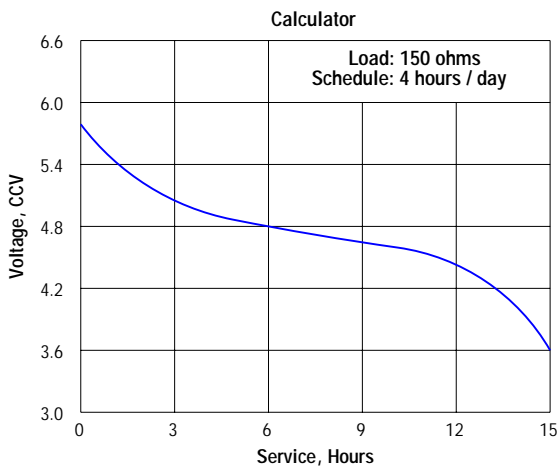
Millimeters	Inches
6.00	.236
6.25	.246
6.50	.256
7.11	.280
8.70	.343
9.20	.362
35.05	1.380
35.55	1.400
47.00	1.850
48.50	1.909

Discharge Resistance, Ohms



# ENERGIZER NO. EN539

## TYPICAL APPLICATIONS



### IMPORTANT NOTICE

This data sheet contains information specific to batteries manufactured at time of its publication. Please contact your Energizer representative for most current information. Contents herein do not constitute a warranty.