



Eveready Battery Company, Inc.  
 Checkerboard Square  
 St. Louis, MO 63164  
 Telephone: 1-800-383-7323  
 Internet: www.energizer.com

## Engineering Data

### EVEREADY NO. EN1A

*Alkaline 1.5V*

**NOT INTENDED FOR RETAIL TRADE**

**Chemical System:** Alkaline-Manganese Dioxide (Zn/MnO<sub>2</sub>)

**Designation:** ANSI / NEDA-1100A, IEC-LR50

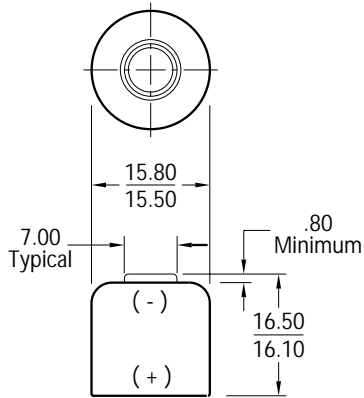
**Battery Voltage:** 1.5 Volts

**Average Weight:** 8.3 grams (0.3 oz.)

**Volume:** 3.2 cubic centimeters (0.2 cubic inch)

**Average Service Capacity ( to 1.8 Volt ):** 650 mAh  
 ( Rated capacity at 220 ohms continuous at 20°C )

**Cell:** 1A-P



Dimensions (mm)

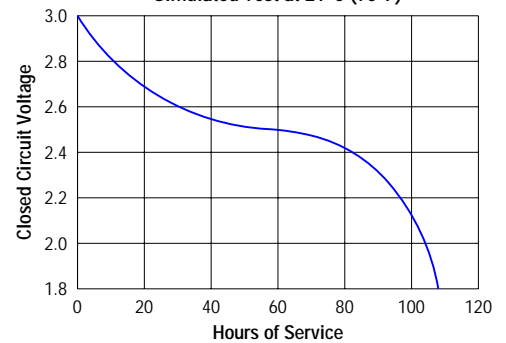
Millimeters	Inches
.80	.031
7.00	.276
15.50	.610
15.80	.622
16.10	.634
16.50	.650

DESIGNED SPECIFICALLY FOR PHOTO USE

**SIMULATED APPLICATION TESTS**  
 Estimated Average Service at 21°C (70°F)

Schedule	Typical Drains @ 1.25V (milliamperes)	Load (ohms)	CUTOFF VOLTAGE	
			0.9V hours	
24 hours / day	5.7	220	114	

**TYPICAL DISCHARGE CHARACTERISTICS**  
 Simulated Test at 21°C (70°F)



**IMPORTANT NOTICE**

This data sheet contains information specific to batteries manufactured at time of its publication. Please contact your Energizer representative for most current information. Contents herein do not constitute a warranty.