



Eveready Battery Company, Inc.
 Checkerboard Square
 St. Louis, MO 63164
 Telephone: 1-800-383-7323
 Internet: www.energizer.com

Engineering Data

EVEREADY NO. EN132A

Alkaline 3V

NOT INTENDED FOR RETAIL TRADE

Chemical System: Alkaline-Manganese Dioxide (Zn/MnO₂)

Designation: ANSI / NEDA-1200A, IEC-2LR50

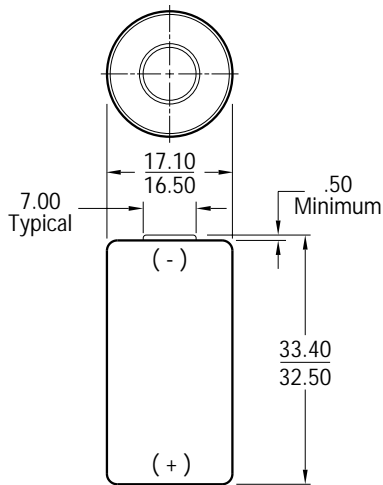
Battery Voltage: 3.0 Volts

Average Weight: 18 grams (0.6 oz.)

Volume: 7.7 cubic centimeters (0.5 cubic inch)

Average Service Capacity (to 1.8 Volt): 650 mAh
 (Rated capacity at 440 ohms continuous at 20°C)

Cell: Two No. 1A-P in series.



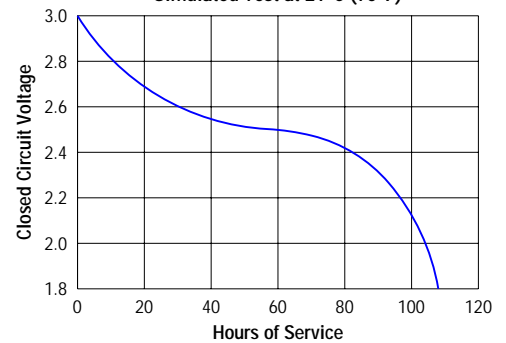
Dimensions (mm)

Millimeters	Inches
.50	.020
7.00	.276
16.50	.650
17.10	.673
32.50	1.280
33.40	1.315

SIMULATED APPLICATION TESTS
 Estimated Average Service at 21°C (70°F)

Schedule	Typical Drains @ 2.5V (milliamperes)	Load (ohms)	CUTOFF VOLTAGE	
			1.8V	hours
24 hours / day	5.7	440	114	

TYPICAL DISCHARGE CHARACTERISTICS
 Simulated Test at 21°C (70°F)



IMPORTANT NOTICE

This data sheet contains information specific to batteries manufactured at time of its publication. Please contact your Energizer representative for most current information. Contents herein do not constitute a warranty.