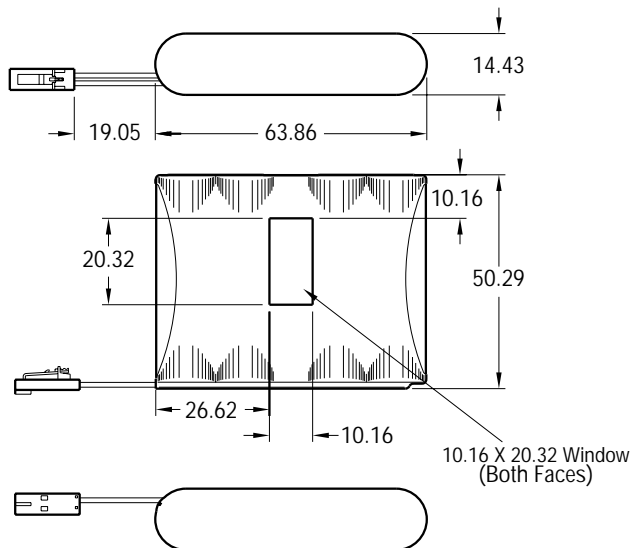


Engineering Data

EVEREADY NO. EDL4AS

Chemical System: Alkaline-Manganese Dioxide (Zn/MnO₂)
 Industrial Lock Pack
Battery Voltage: 6.0 Volts
Terminal: Quick Disconnect
Typical Weight: 99.7 grams (3.5 oz.)
Volume: 46.4 cubic centimeters (2.8 cubic inch)
Average Service Capacity (to 0.8 Volt / cell): 2.9 Ah
 (Rated capacity at 25 mA continuous drain)
Cells: Four 3-3151VP in series.

Dimensions (mm)



Millimeters	Inches
10.16	.400
14.43	.568
19.05	.750
20.32	.800
26.62	1.048
50.29	1.980
63.86	2.514

IMPORTANT NOTICE

This data sheet contains information specific to batteries manufactured at time of its publication. Please contact your Energizer representative for most current information. Contents herein do not constitute a warranty.