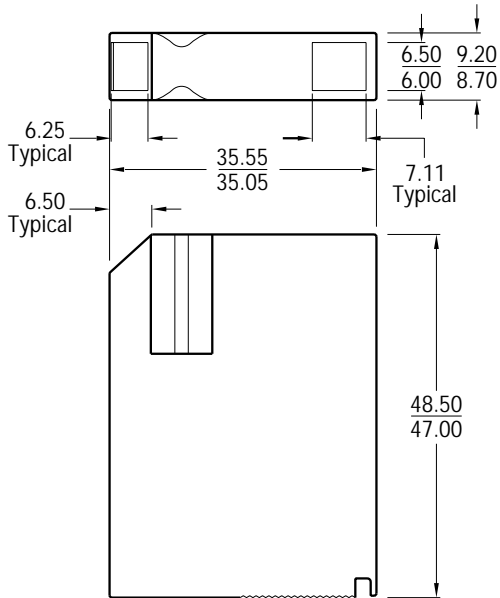


Engineering Data

EVEREADY NO. 539

J
Alkaline 6V
No Added Mercury or Cadmium



Chemical System: Alkaline-Manganese Dioxide (Zn/MnO₂)

Designation: ANSI / NEDA-1412AP

Battery Voltage: 6 Volts

Average Weight: 30 grams (1.1 oz.)

Volume: 15.4 cubic centimeters (0.9 cubic inch)

Average Service Capacity (to 0.8 Volt / cell): 595 mAh
 (Rated capacity at 25 mA continuous drain)

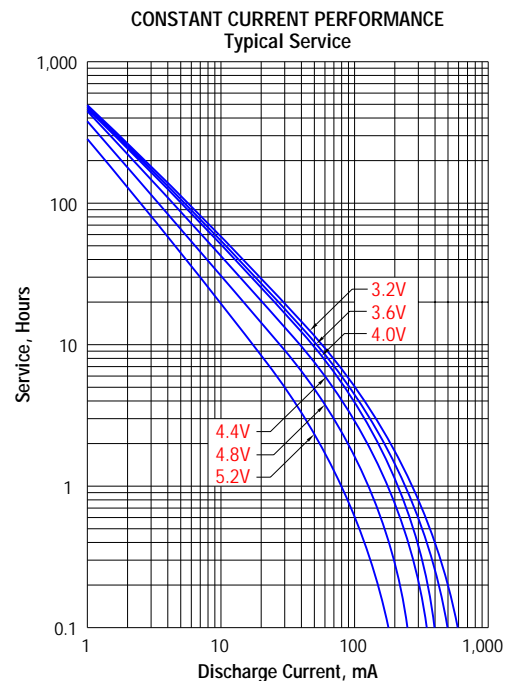
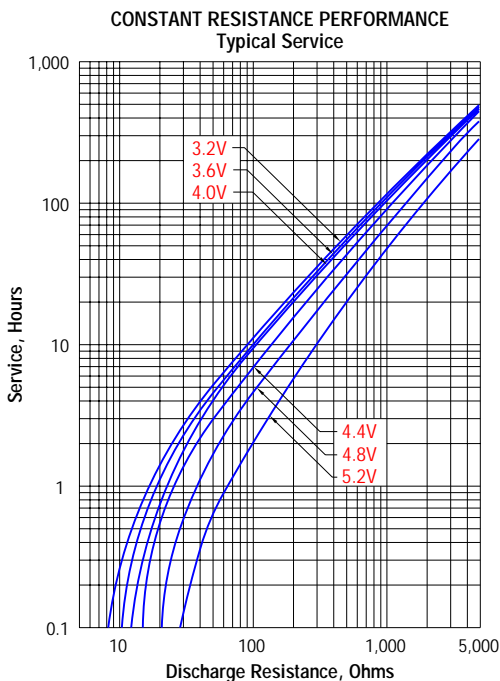
Cells: Four No. 3-0316 in series.

Jacket: Plastic

Dimensions (mm)

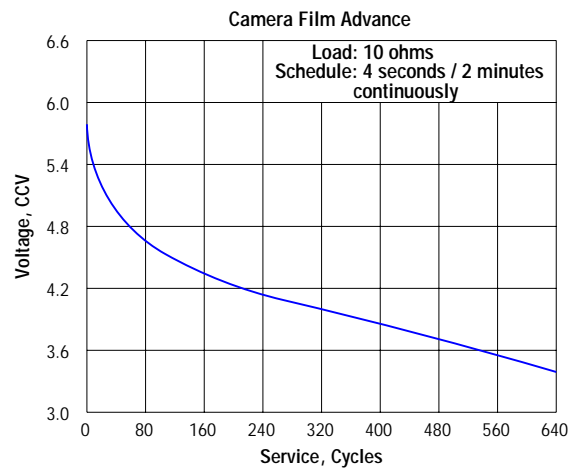
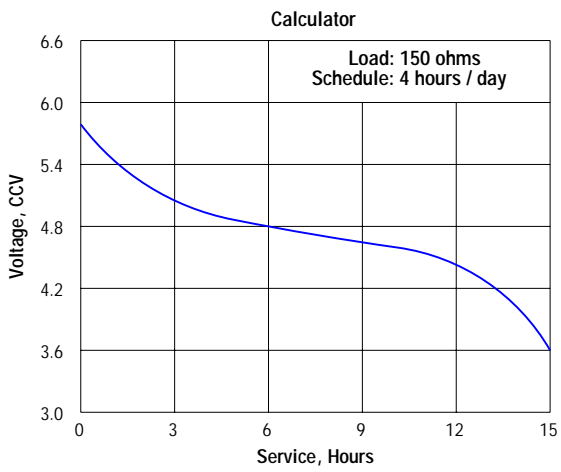
Millimeters	Inches
6.00	.236
6.25	.246
6.50	.256
7.11	.280
8.70	.343
9.20	.362
35.05	1.380
35.55	1.400
47.00	1.850
48.50	1.909

Discharge Resistance, Ohms



ENERGIZER NO. 539

TYPICAL APPLICATIONS



IMPORTANT NOTICE

This data sheet contains information specific to batteries manufactured at time of its publication. Please contact your Energizer representative for most current information. Contents herein do not constitute a warranty.