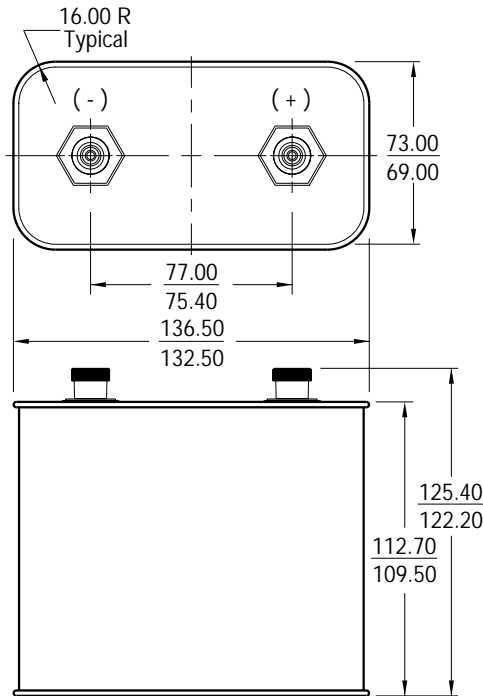


## Engineering Data

### EVEREADY NO. 521

*Alkaline 6V*  
*No Added Mercury or Cadmium*



**Chemical System:** Alkaline-Manganese Dioxide (Zn/MnO<sub>2</sub>)

**Designation:** ANSI-918A

**Battery Voltage:** 6 Volts

**Average Weight:** 1.9 Kilograms (67.3 oz.)

**Volume:** 1123 cubic centimeters (68.5 cubic inch)

**Average Service Capacity ( to 0.8 Volt / cell ): 52 Ah**  
 ( Rated capacity at 25 mA continuous drain )

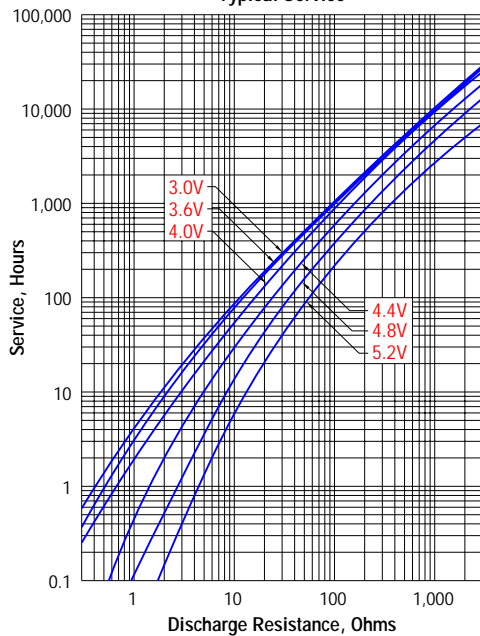
**Cells:** Eight No. 3-361 Two parallel strings of four in series.

**Jacket:** Metal

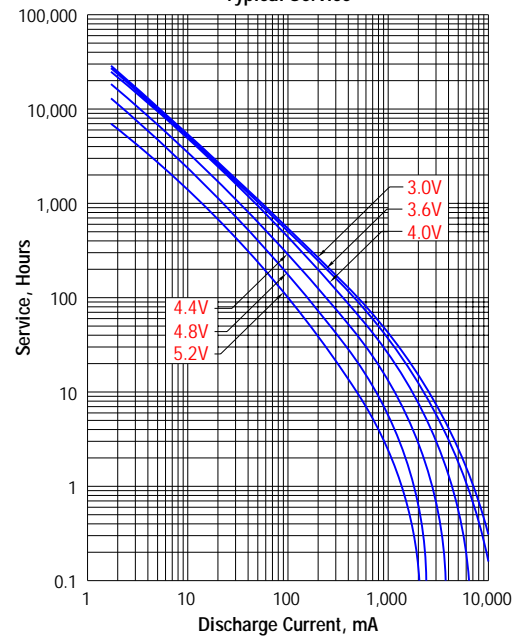
**Dimensions (mm)**

Millimeters	Inches
16.00	.630
69.00	2.717
73.00	2.874
75.40	2.969
77.00	3.031
109.50	4.311
112.70	4.437
122.20	4.811
125.40	4.937
132.50	5.217
136.50	5.374

**CONSTANT RESISTANCE PERFORMANCE**  
 Typical Service

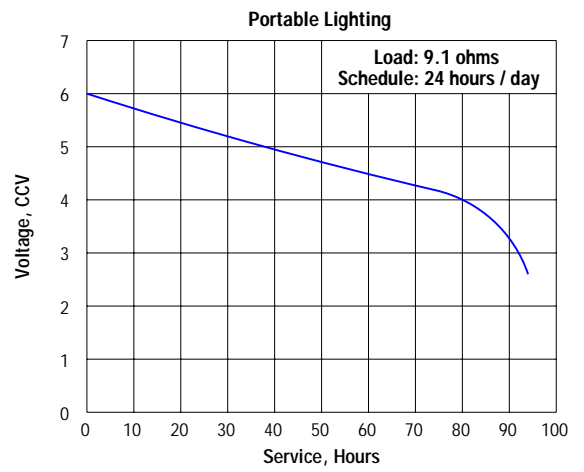
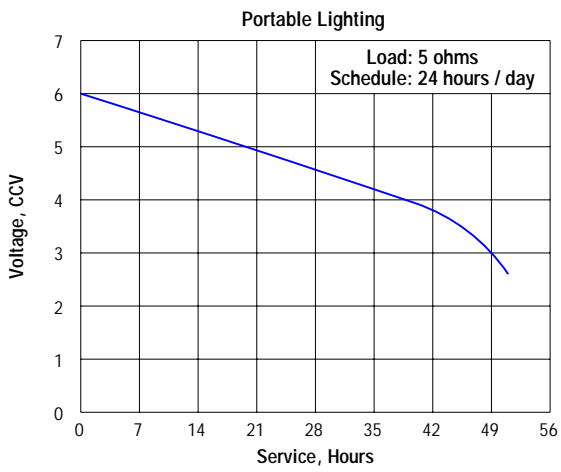


**CONSTANT CURRENT PERFORMANCE**  
 Typical Service



# ENERGIZER NO. 521

## TYPICAL APPLICATIONS



### IMPORTANT NOTICE

This data sheet contains information specific to batteries manufactured at time of its publication. Please contact your Energizer representative for most current information. Contents herein do not constitute a warranty.